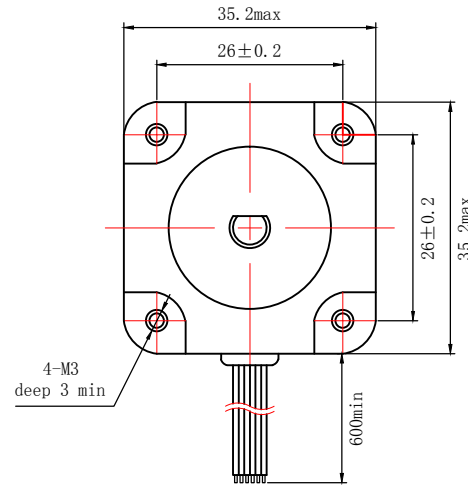
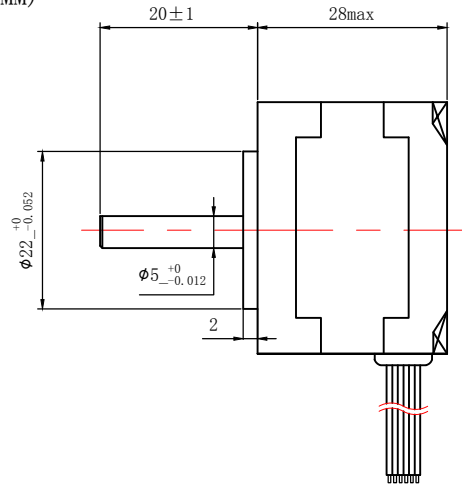
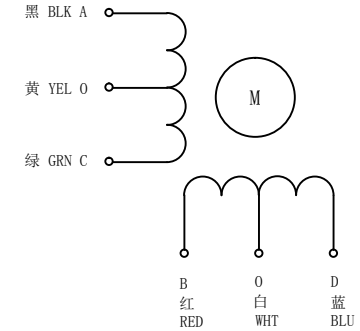


35H2P2810A6

电机尺寸
DIMENSIONS:
(UNIT=MM)



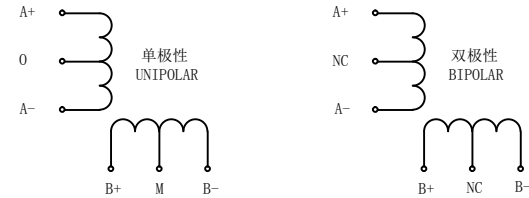
电机接线图
WIRING DIAGRAM:



说明
NOTES:

- PLEASE DON'T HOLD MOTOR BY LEAD WIRES.
- PLEASE DON'T PLUG IN/OUT THE MOTOR CONNECTOR WHILE POWER ON.
- PLEASE DON'T DROP, HURL OR DUMP MOTOR AGAINST HARD MATERIAL
MALFUNCTION MAY NOT BE OBSERVED AT EARLY STAGE AFTER SUCH SHOCKS, BUT FOUND LATER. THE MISHANDLING VOIDS OUR WARRANTY.
- DONGGUAN ICAN-TECH WILL NOT BE RESPONSIBLE FOR ANY PATENT DISPUTE OR PROBLEM CAUSED BY ACTUAL APPLICATIONS

驱动连接方式
CONNECTION MODE:



电机参数/ELECTRICAL PARAMETER		轴径配置/SHAFT DESIGNH
电机型号 MANUFACTURER MODEL	35H2P2810A6	
适配步进电机驱动器 MATCHED MOTOR DRIVE	MR2	
步距角 STEP ANGLE (° /STEP)	1.8	
电机电压 RATED VOLTAGE (V)	2.7	
电机电流 RATED CURRENT (A/PHASE)	1.0	
电机电阻 RESISTANCE (Ω±15%/PHASE)	2.7	
电机电感 INDUCTANCE (mH±20%/PHASE)	1.0	
电机力矩 HOLDING TORQUE (N.M)	0.075	
电机绝缘等级 INSULATION CLASS	B	

连接方式 CONNECTION MODE	电机电阻 RESISTANCE ohm±15%	电机电感 INDUCTANCE mh±20%	电机电流 RATED CURRENT A	电机电压 RATED VOLTAGE V	电机力矩 HOLDING TORQUE N-m (oz-in)
单极性 UNIPOLAR	1.4	1.0	1.0	1.4	0.065
双极性 BIPOLAR	2.7	1.0	1.0	2.7	0.075

制图 DESIGNED	检图 CHECKED	校准 APPROVED	日期 DATE	比例 SCALE
HUANGTING	MAHUALING		2016/03/01	1:1.1
35H2P2810A6		东莞市一能机电技术有限公司 DONGGUAN ICAN TECHNOLOGY CO., LTD		
两相步进电机 TWO-PHASE STEPPING MOTOR				版本 EDITION V2.0