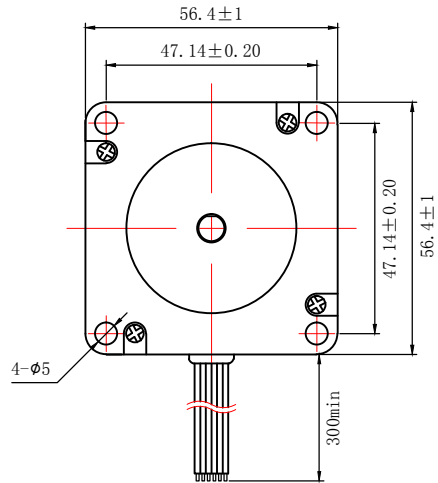
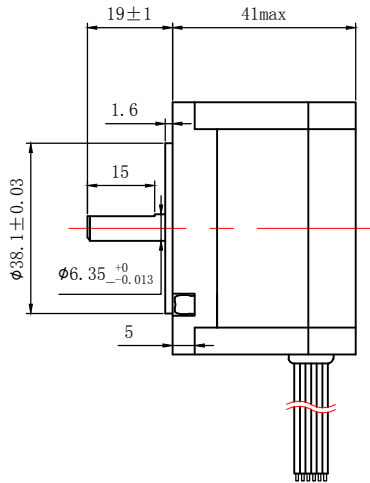
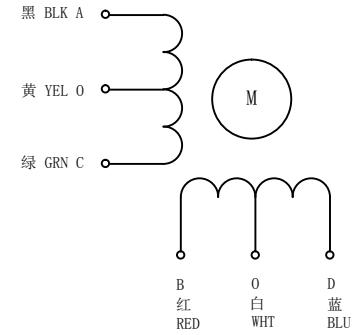


57H2P4115A6

电机尺寸  
DIMENSIONS:  
(UNIT=MM)



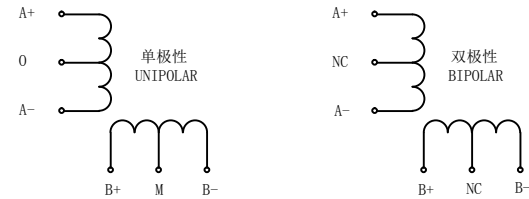
电机接线图  
WIRING DIAGRAM:



说明  
NOTES:

- PLEASE DON'T HOLD MOTOR BY LEAD WIRES.
- PLEASE DON'T PLUG IN/OUT THE MOTOR CONNECTOR WHILE POWER ON.
- PLEASE DON'T DROP, HURL OR DUMP MOTOR AGAINST HARD MATERIAL  
MALFUNCTION MAY NOT BE OBSERVED AT EARLY STAGE AFTER SUCH SHOCKS, BUT FOUND LATER. THE MISHANDLING VOIDS OUR WARRANTY.
- DONGGUAN ICAN-TECH WILL NOT BE RESPONSIBLE FOR ANY PATENT DISPUTE OR PROBLEM CAUSED BY ACTUAL APPLICATIONS

驱动连接方式  
CONNECTION MODE:



电机参数/ELECTRICAL PARAMETER		轴径配置/SHAFT DESIGN
电机型号 MANUFACTURER MODEL	57H2P4115A6	
适配步进电机驱动器 MATCHED MOTOR DRIVE	MR2/MR4	
步距角 STEP ANGLE (° /STEP)	1.8	
电机电压 RATED VOLTAGE (V)	2.7	
电机电流 RATED CURRENT (A/PHASE)	1.5	
电机电阻 RESISTANCE (Ω±15%/PHASE)	1.8	
电机电感 INDUCTANCE (mH±20%/PHASE)	3.5	
电机力矩 HOLDING TORQUE (N.M)	0.35	
电机绝缘等级 INSULATION CLASS	B	

连接方式 CONNECTION MODE	电机电阻 RESISTANCE ohm±15%	电机电感 INDUCTANCE mh±20%	电机电流 RATED CURRENT A	电机电压 RATED VOLTAGE V	电机力矩 HOLDING TORQUE N-m(oz-in)
单极性 UNIPOLAR	0.9	3.5	1.5	1.4	0.3
双极性 BIPOLAR	1.8	3.5	1.5	2.7	0.35

制图 DESIGNED	检图 CHECKED	校准 APPROVED	日期 DATE	比例 SCALE
HUANGTING	MAHUALING		2016/03/01	1:1.8
<b>57H2P4115A6</b>		东莞市一能机电技术有限公司 DONGGUAN ICAN TECHNOLOGY CO.,LTD		
两相步进电机 TWO-PHASE STEPPING MOTOR				版本 EDITION V2.0