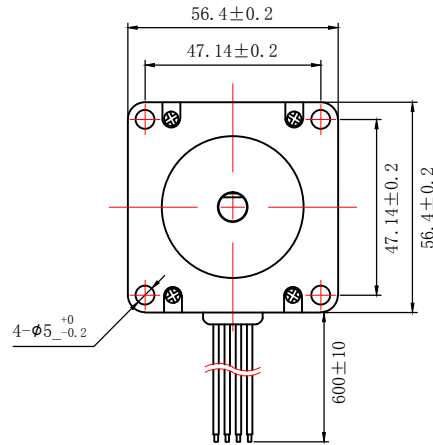
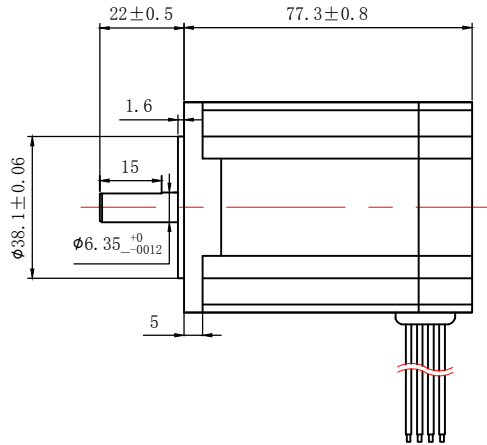
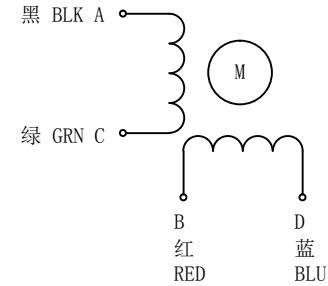


57H2P7842A4

电机尺寸  
DIMENSIONS:  
(UNIT=MM)



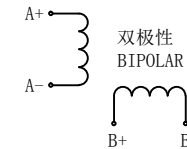
电机接线图  
WIRING DIAGRAM:



说明  
NOTES:

- PLEASE DON'T HOLD MOTOR BY LEAD WIRES.
- PLEASE DON'T PLUG IN/OUT THE MOTOR CONNECTOR WHILE POWER ON.
- PLEASE DON'T DROP, HURL OR DUMP MOTOR AGAINST HARD MATERIAL  
MALFUNCTION MAY NOT BE OBSERVED AT EARLY STAGE AFTER SUCH SHOCKS, BUT FOUND LATER. THE MISHANDLING VOIDS OUR WARRANTY.
- DONGGUAN ICAN-TECH WILL NOT BE RESPONSIBLE FOR ANY PATENT DISPUTE OR PROBLEM CAUSED BY ACTUAL APPLICATIONS

驱动连接方式  
CONNECTION MODE:



| 电机参数/ELECTRICAL PARAMETER         |             | 轴径配置/SHAFT DESIGN |
|-----------------------------------|-------------|-------------------|
| 电机型号<br>MANUFACTURER MODEL        | 57H2P7842A4 |                   |
| 适配步进电机驱动器<br>MATCHED MOTOR DRIVE  | MR4/MR5     |                   |
| 步距角<br>STEP ANGLE (° /STEP)       | 1.8         |                   |
| 电机电压<br>RATED VOLTAGE (V)         | 2.31        |                   |
| 电机电流<br>RATED CURRENT (A/PHASE)   | 4.2         |                   |
| 电机电阻<br>RESISTANCE (Ω±15%/PHASE)  | 0.55        |                   |
| 电机电感<br>INDUCTANCE (mH±20%/PHASE) | 1.8         |                   |
| 电机力矩<br>HOLDING TORQUE (N.M)      | 2.1         |                   |
| 电机绝缘等级<br>INSULATION CLASS        | B           |                   |

| 制图<br>DESIGNED                     | 检图<br>CHECKED | 校准<br>APPROVED                                     | 日期<br>DATE | 比例<br>SCALE           |
|------------------------------------|---------------|--|------------|-----------------------|
| HUANGTING                          | MAHUALING     |  | 2016/03/01 | 1:1.8                 |
| <b>57H2P7842A4</b>                 |               | 东莞市一能机电技术有限公司<br>DONGGUAN ICAN TECHNOLOGY CO., LTD |            |                       |
| 两相步进电机<br>TWO-PHASE STEPPING MOTOR |               |  |            | 版本<br>EDITION<br>V2.0 |