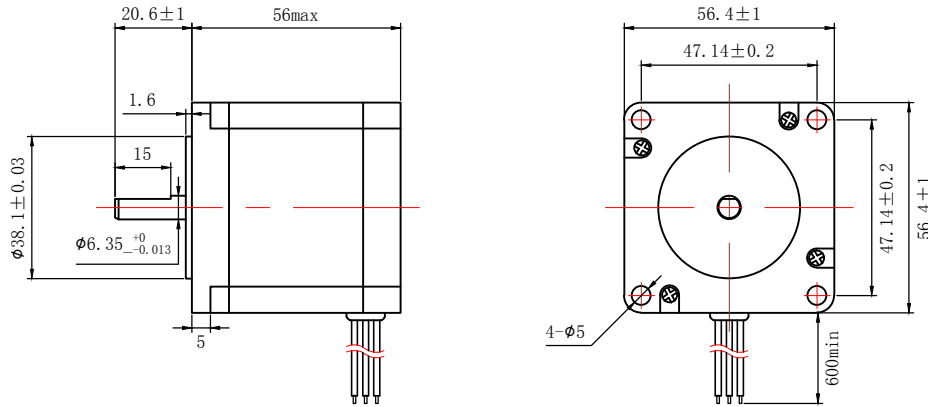
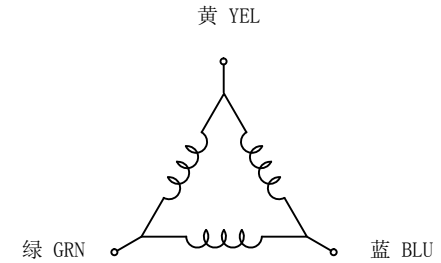


57H3P5656A3

电机尺寸
DIMENSIONS:
(UNIT=MM)



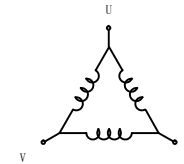
电机接线图
WIRING DIAGRAM:



说明
NOTES:

- PLEASE DON'T HOLD MOTOR BY LEAD WIRES.
- PLEASE DON'T PLUG IN/OUT THE MOTOR CONNECTOR WHILE POWER ON.
- PLEASE DON'T DROP, HURL OR DUMP MOTOR AGAINST HARD MATERIAL
MALFUNCTION MAY NOT BE OBSERVED AT EARLY STAGE AFTER SUCH SHOCKS, BUT FOUND LATER. THE MISHANDLING Voids OUR WARRANTY.
- DONGGUAN ICAN-TECH WILL NOT BE RESPONSIBLE FOR ANY PATENT DISPUTE OR PROBLEM CAUSED BY ACTUAL APPLICATIONS

驱动连接方式
CONNECTION MODE:



备注: 电机三根线分别接入驱动器U、V、W端子, 调换任意两根电机接线, 可改变电机的运行方向

电机参数/ELECTRICAL PARAMETER		轴径配置/SHAFT DESIGN
电机型号 MANUFACTURER MODEL	57H3P5656A3	<p>$\phi 6.35_{-0.013}^{+0}$ 5.55 ± 0.15</p>
适配步进电机驱动器 MATCHED MOTOR DRIVE	3MR8	
步距角 STEP ANGLE ($^{\circ}$ /STEP)	1.2	
电机电压 RATED VOLTAGE (V)	2.8	
电机电流 RATED CURRENT (A/PHASE)	5.6	
电机电阻 RESISTANCE ($\Omega \pm 15\%$ /PHASE)	0.5	
电机电感 INDUCTANCE (mH $\pm 20\%$ /PHASE)	1.1	
电机力矩 HOLDING TORQUE (N.M)	0.9	
电机绝缘等级 INSULATION CLASS	B	

制图 DESIGNED	检图 CHECKED	校准 APPROVED	日期 DATE	比例 SCALE
HUANGTING	MAHUALING		2016/03/01	1:2
57H3P5656A3		东莞市一能机电技术有限公司 DONGGUAN ICAN TECHNOLOGY CO., LTD		
三相步进电机 THREE-PHASE STEPPING MOTOR				版本 EDITION V2.0