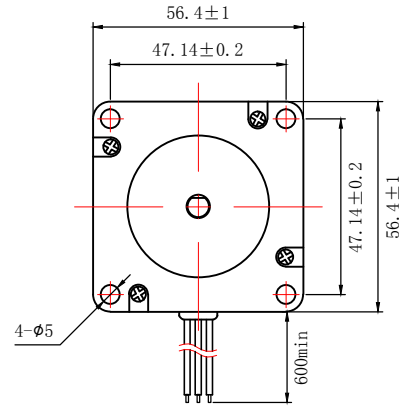
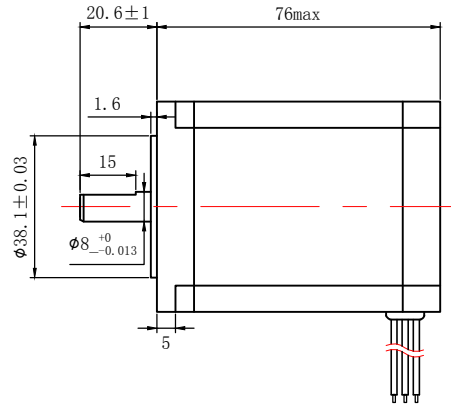
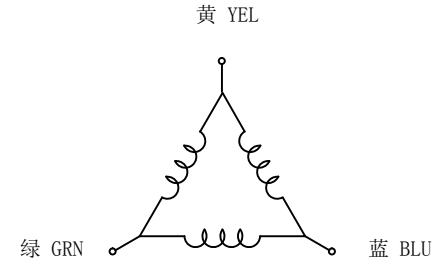


57H3P7652A3

电机尺寸
DIMENSIONS:
(UNIT=MM)



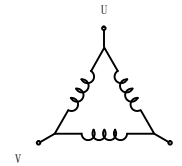
电机接线图
WIRING DIAGRAM:



说明
NOTES:

1. PLEASE DON'T HOLD MOTOR BY LEAD WIRES.
2. PLEASE DON'T PLUG IN/OUT THE MOTOR CONNECTOR WHILE POWER ON.
3. PLEASE DON'T DROP, HURL OR DUMP MOTOR AGAINST HARD MATERIAL
MALFUNCTION MAY NOT BE OBSERVED AT EARLY STAGE AFTER SUCH SHOCKS, BUT FOUND LATER. THE MISHANDLING VOIDS OUR WARRANTY.
4. DONGGUAN ICAN-TECH WILL NOT BE RESPONSIBLE FOR ANY PATENT DISPUTE OR PROBLEM CAUSED BY ACTUAL APPLICATIONS

驱动连接方式
CONNECTION MODE:



备注: 电机三根线分别接入驱动器U、V、W端子, 调换任意两根电机接线, 可改变电机的运行方向

电机参数/ELECTRICAL PARAMETER		轴径配置/SHAFT DESIGN
电机型号 MANUFACTURER MODEL	57H3P7652A3	
适配步进电机驱动器 MATCHED MOTOR DRIVE	3MR8	
步距角 STEP ANGLE (° /STEP)	1.2	
电机电压 RATED VOLTAGE (V)	2.6	
电机电流 RATED CURRENT (A/PHASE)	5.2	
电机电阻 RESISTANCE (Ω±15%/PHASE)	0.5	
电机电感 INDUCTANCE (mH+20%/PHASE)	1.4	
电机力矩 HOLDING TORQUE (N.M)	1.2	
电机绝缘等级 INSULATION CLASS	B	

制图 DESIGNED	检图 CHECKED	校准 APPROVED	日期 DATE	比例 SCALE
HUANGTING	MAHUALING		2016/03/01	1:2
57H3P7652A3		东莞市一能机电技术有限公司 DONGGUAN ICAN TECHNOLOGY CO., LTD		
三相步进电机 THREE-PHASE STEPPING MOTOR			版本 EDITION V2.0	