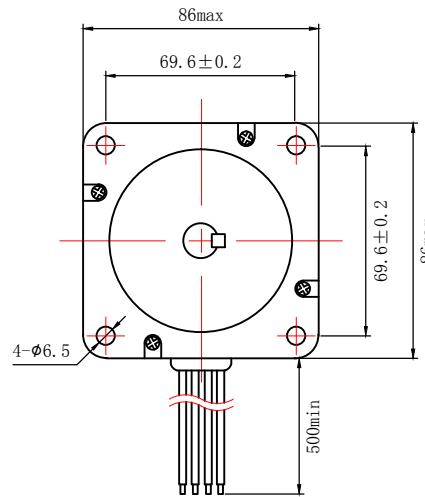
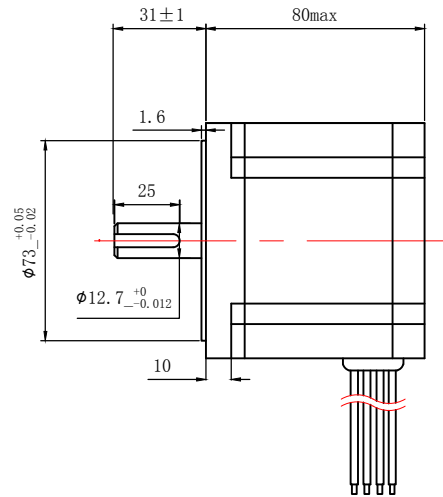
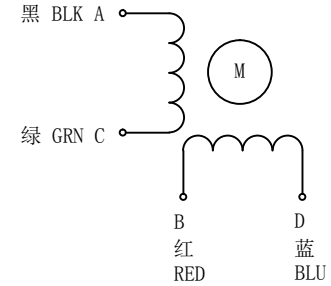


85H2P8060A4

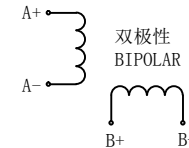
电机尺寸
DIMENSIONS:
(UNIT=MM)



电机接线图
WIRING DIAGRAM:



驱动连接方式
CONNECTION MODE:



说明
NOTES:

- PLEASE DON'T HOLD MOTOR BY LEAD WIRES.
- PLEASE DON'T PLUG IN/OUT THE MOTOR CONNECTOR WHILE POWER ON.
- PLEASE DON'T DROP, HURL OR DUMP MOTOR AGAINST HARD MATERIAL
MALFUNCTION MAY NOT BE OBSERVED AT EARLY STAGE AFTER SUCH SHOCKS, BUT FOUND LATER. THE MISHANDLING VOIDS OUR WARRANTY.
- DONGGUAN ICAN-TECH WILL NOT BE RESPONSIBLE FOR ANY PATENT DISPUTE OR PROBLEM CAUSED BY ACTUAL APPLICATIONS

电机参数/ELECTRICAL PARAMETER		轴径配置/SHAFT DESIGN
电机型号 MANUFACTURER MODEL	85H2P8060A4	
适配步进电机驱动器 MATCHED MOTOR DRIVE	MR5/MR7	
步距角 STEP ANGLE (° /STEP)	1.8	
电机电压 RATED VOLTAGE (V)	2.1	
电机电流 RATED CURRENT (A/PHASE)	6.0	
电机电阻 RESISTANCE (Ω±15%/PHASE)	0.35	
电机电感 INDUCTANCE (mH±20%/PHASE)	3.2	
电机力矩 HOLDING TORQUE (N.M)	4.5	
电机绝缘等级 INSULATION CLASS	B	

连接方式 CONNECTION MODE	电机电阻 RESISTANCE ohm±15%	电机电感 INDUCTANCE mh±20%	电机电流 RATED CURRENT A	电机电压 RATED VOLTAGE V	电机力矩 HOLDING TORQUE N-m(oz-in)
单极性 UNIPOLAR	1.55	6.76	2.97	4.6	3.2
双极性串联 SERIES BIPOLAR	3.1	27.4	2.1	6.5	4.5
双极性并联 PARALLEL BIPOLAR	0.775	6.76	4.2	3.2	4.5

制图 DESIGNED	检图 CHECKED	校准 APPROVED	日期 DATE	比例 SCALE
HUANGTING	MAHUALING		2016/03/01	1:2.3
85H2P8060A4		东莞市一能机电技术有限公司 DONGGUAN ICAN TECHNOLOGY CO., LTD		
两相步进电机 TWO-PHASE STEPPING MOTOR				版本 EDITION V2.0