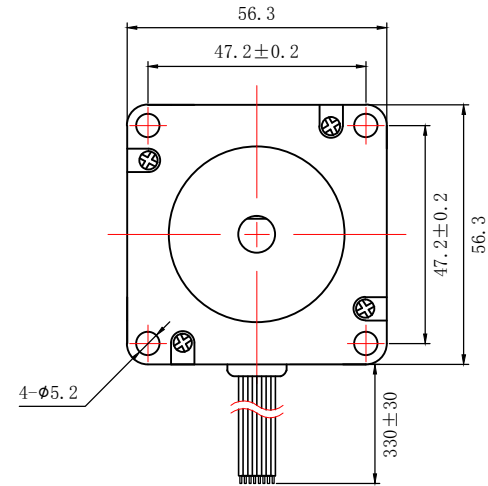
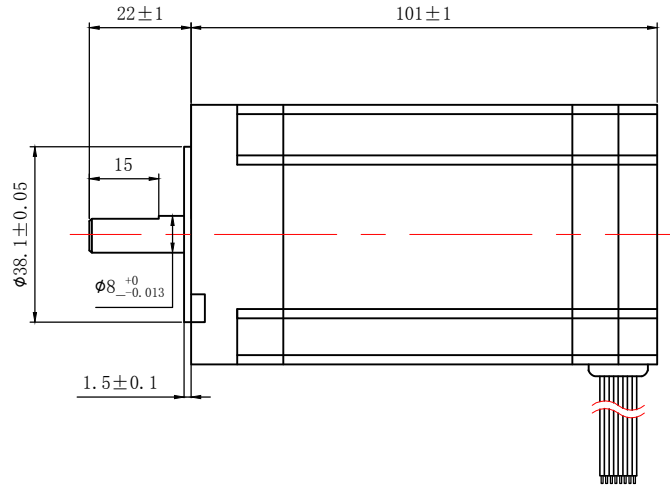


57BLF-1830NBB

电机尺寸
DIMENSIONS:
(UNIT=MM)



NOTES:

- PLEASE DON'T HOLD MOTOR BY LEAD WIRES.
- PLEASE DON'T PLUG IN/OUT THE MOTOR CONNECTOR WHILE POWER ON.
- PLEASE DON'T DROP, HURL OR DUMP MOTOR AGAINST HARD MATERIAL
MALFUNCTION MAY NOT BE OBSERVED AT EARLY STAGE AFTER SUCH SHOCKS, BUT FOUND LATER. THE MISHANDLING VOIDS OUR WARRANTY.
- DONGGUAN ICAN-TECH WILL NOT BE RESPONSIBLE FOR ANY PATENT DISPUTE OR PROBLEM CAUSED BY ACTUAL APPLICATIONS

| 电机参数/ELECTRICAL PARAMETER | | 轴径配置/SHAFT DESIGN |
|--------------------------------------|---------------|-------------------|
| 电机型号 MANUFACTUER MODEL | 57BLF-1830NBB | |
| 适配直流无刷电机驱动控制器 MATCHED MOTOR DRIVE | BLD300B | |
| 额定功率 RATED POWER (W) | 188 | |
| 额定转速 RATED SPEED (RPM±10%) | 3000 | |
| 电机电压 RATED VOLTAGE (V) | 24 | |
| 电机电阻 RESISTANCE (Ω±15%) | 0.2 | |
| 电机电感 INDUCTANCE (mH±20%) | | |
| 电机力矩 HOLDING TORQUE (N.M) | 0.6 | |
| 磁极数 NUMBER OF POLES | 8 | |

| 连接方式 CONNECTION MODE | MOTOR CABLES 3"UL3265 AWG20# | | | HALL SENSOR CABLES 5"UL1007 AWG26# | | | | |
|----------------------------|---------------------------------|-----------|-----------|---------------------------------------|-----------|-----------|-----------|-----------|
| 电机线 MOTOR LINE | 粗黄 YEL | 粗绿 GRN | 粗蓝 BLU | 细黄 YEL | 细绿 GRN | 细蓝 BLU | 细黑 BLK | 细红 RED |
| 驱动器接口 DRIVER INTERFACE | U | V | W | HU | HV | HW | REF- | REF+ |

| 制图 DESIGNED | 检图 CHECKED | 校准 APPROVED | 日期 DATE | 比例 SCALE |
|------------------------------|---------------|--|-----------------------|-------------|
| HUANG TING | MA HUALING | | 2016/03/01 | 1:1.6 |
| 57BLF-1830NBB | | 东莞市一能机电技术有限公司 DONGGUAN ICAN TECHNOLOGY CO., LTD | | |
| 直流无刷电机 BRUSHLESS DC MOTOR | | | 版本 EDITION V2.0 | |