

GFJC aluminum alloy high rigidity plum flower Clamp series

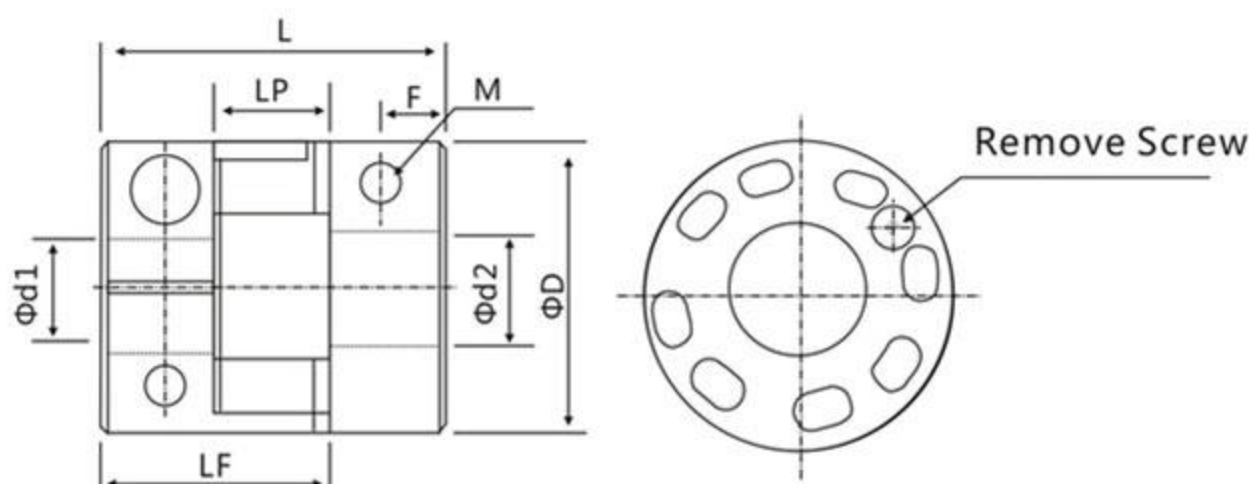
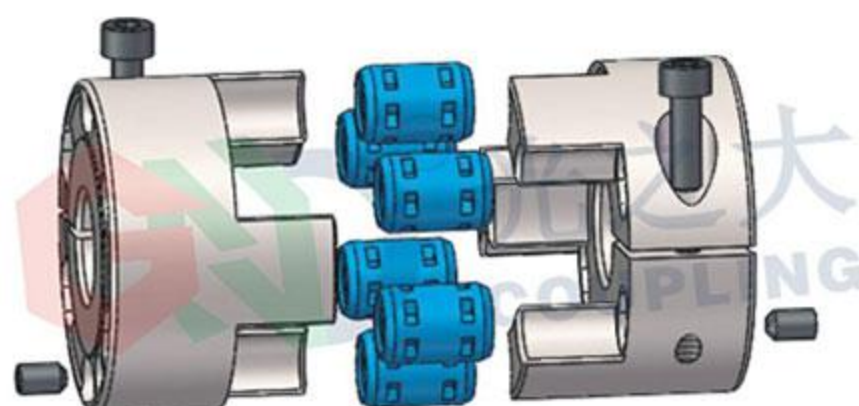
Features :

- > Bushings made of High-strength aluminum alloy
- > Zero backlash , Suitable for forward reverse
- > Colloid using TPU, with good abrasion resistance Oil resistance and Insulation
- > Colloid can absorb vibration, parallel, angular misalignments and shaft end-play
- > Detachable design, Easy installation
- > Clamp type



Example: GFJC - □□ × □□ - □□ × □□
Series Diameter Length d1Bore d2Bore

Example: GFJC-55×60-16×20
G: Guangzhida
F: Plum flower
J: Rigidity/Jaw
C: Clamp
55: Diameter
60: Length
16: d1 bore
20: d2 bore



Dimensions (unit : mm)

Parameter	Common Φd1, Φd2 shaft diameter	ΦD	L	LF	LP	F	M	Wrench Torque (N.m)
Model NO. GFJC-55×60	8,10,12,12.7,14,15,16,17,18,19,20,22,24,25,28,30,32	55	60	39	18	15	M6	8
GFJC-70×75	14,15,16,17,18,19,20,22,24,25,28,30,32,35,38,40	70	75	49	23	16	M8	20
GFJC-95×100	19,20,22,24,25,28,30,32,35,38,40,42,45,50,55	95	100	64.5	29	18	M10	40

Specifications

Parameter	Rated Torque (N.m) *	Errors of Eccentricity (mm) *	Errors of Angularity (°) *	Errors of Shaft end-play (mm) *	Max. Rotational Frequency (rpm)	Static Torsional Stiffness (N.m/rad)	Moment of Inertia (kg.m ²)	Bushings material	Colloid material	Surface treatment	Mass (g)
Model NO. GFJC-55×60	45	0.1	1	±0.2	7500	7500	1.0X10 ⁻⁴	High strength aluminum alloy	TPU	Special oxidation	311
GFJC-70×75	110	0.1	1	±0.5	5500	8500	3.8X10 ⁻⁴				555
GFJC-95×100	200	0.1	1	±0.8	4000	18000	1.0X10 ⁻³				1180

Moment of inertia and mass figures based on the maximum shaft bores