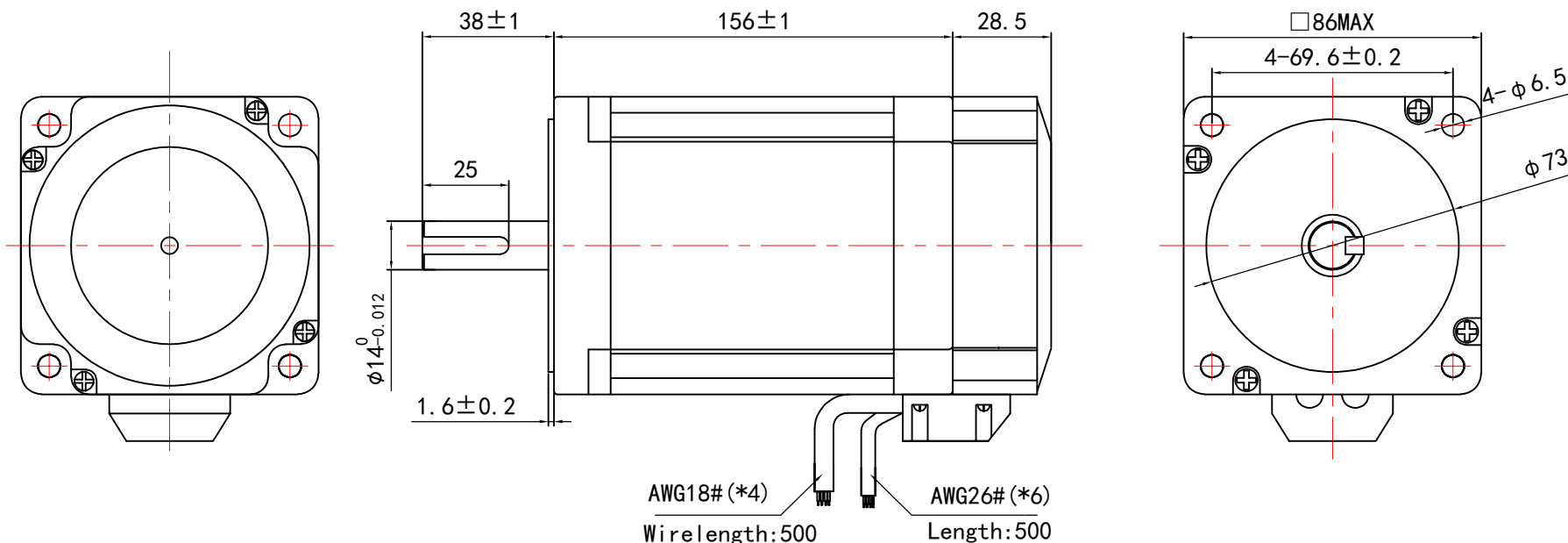


电机尺寸
DIMENSIONS:
(UNIT=MM)

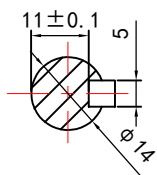


电机参数/ELECTRICAL PARAMETER	
步距角 STEP ANGLE (° /STEP)	1.8
电机电压 RATED VOLTAGE (V)	3.6
电机电流 RATED CURRENT (A/PHASE)	6.0
电机电阻 RESISTANCE (Ω±15%/PHASE)	0.6
电机电感 INDUCTANCE (mH±20%/PHASE)	6.7
电机力矩 HOLDING TORQUE (N.M)	12
编码器分辨率 ENCODER RES	1000
电气强度 ELECTRIC STRENGTH	AC 500((V/1min/5mA MAX)
转子惯量 THE ROTOR INERTIA (g-cm ²)	4000
绝缘等级 INSULATION GRADE	B
重量 WEIGHT (KG)	≈5.5

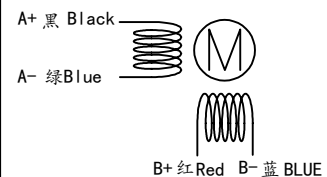
说明NOTES:

- PLEASE DON'T HOLD MOTOR BY LEAD WIRES.
- PLEASE DON'T PLUG IN/OUT THE MOTOR CONNECTOR WHILE POWER ON.
- PLEASE DON'T DROP, HURL OR DUMP MOTOR AGAINST HARD MATERIAL MALFUNCTION MAY NOT BE OBSERVED AT EARLY STAGE AFTER SUCH SHOCKS, BUT FOUND LATER. THE MISHANDLING VOIDS OUR WARRANTY.
- DONGGUAN ICAN-TECH WILL NOT BE RESPONSIBLE FOR ANY PATENT DISPUTE OR PROBLEM CAUSED BY ACTUAL APPLICATIONS

轴径配置/SHAFT DESIGN



电机接线图 Connection Mode



编码器线序

Encoder Signals:

颜色	红白	红	黑	黑白	蓝	蓝黑
定义	GND	5V	A+	A-	B+	B-

制图 DESIGNED	检图 CHECKED	核准 APPROVED	日期 DATE	比例 SCALE
JIAJIANG	CHENSHENG		2023/5/17	1:1
SM8604AB-1000A0-SS		东莞市一能机电技术有限公司 DONGGUAN ICAN TECHNOLOGY CO., LTD		
闭环步进电机 STEPPER SERVO MOTOR		第一视角	单位	版本 EDITION
			MM	V1.0